

Rexxam

Quality in vision care

RS-5000/500/300

LED Slit Lamp RS Series



Proudly  Made in Japan

About Us



Rex + Max = Rexxam

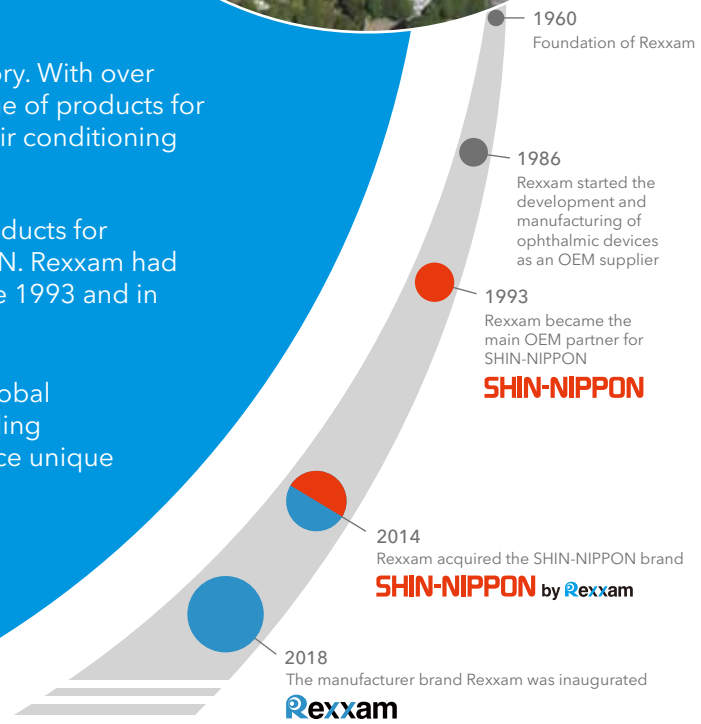
Rexxam, which means 'the king of the kings', is a respected and reliable brand.

Rexxam is a Japanese company with a celebrated 60 year history. With over 3,000 employees worldwide, Rexxam manufacture a wide range of products for various industries; from factory automation, automobiles and air conditioning systems, to beer and ski boots.

Since 1986, Rexxam has manufactured various high quality products for leading brands in the eye care industry, including SHIN-NIPPON. Rexxam had developed and manufactured products for SHIN-NIPPON since 1993 and in 2014 the company took over the SHIN-NIPPON brand.

We will be bringing high quality ophthalmic equipment to a global market. By combining precision engineering with industry leading innovation and experience in mass production, Rexxam produce unique products to support eye care specialists across the world.

Quality in vision care, we are Rexxam.



Quality in vision care

Proudly Made in Japan



RS-5000



RS-500



RS-300

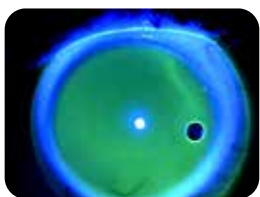
Rexxam Slit Lamp RS Series

The new Rexxam slit lamp RS series have high quality optics with versatile functionalities and are easy to use. The series consists of three models; RS-5000, RS-500 and RS-300.

The RS-5000 is the high illumination tower model, while the RS-500 is the low illumination compact model with 5 step magnifications. The RS-300 is the primary model with three step magnifications yet with similar level of high performance and features.

The optics of the RS-5000/RS-500/RS-300 are bright and wide with an optimum convergence angle*(12 degrees). Drastic improvements were applied to the device in order to achieve comfortable and smooth operation by newly designed joystick and ergonomic base design that ensures solid movement to the various desired positions. The newly designed main and background illumination control dials are designed to be easily and intuitively used with one hand. From the wide range of LEDs, we have chosen the LED which is closest to the conventional halogen light colour temperature.

*convergence angle is for RS-5000/500 only



Comfortable to use and high quality optics



The RS-5000 and RS-500 share the same outstanding and high quality features required by slit lamp users. The excellent multicoated optics system allows superb observations and accurate diagnostics. Both the RS-5000 and the RS-500 integrate seamlessly with Rexam's dedicated digital camera DCS-700 (optional accessory) for outstanding digital imaging possibilities with a press of the joystick button.

LED light source

- Similar colour temperature as Halogen
- Consistent colour temperature at any illumination level
- Low temperature of LED prevents tear film from vaporising
- Cost and energy saving (Long life span and lower energy level)



Ocular convergence

Comfortable 12 degrees convergence optics for easy stereoscopic fusion



Magnification

Smooth rotatable drum with 5 step magnification, 6.4x, 10x, 16x, 25x, 40x



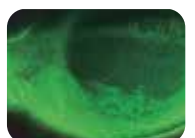
Wide field of view

With wide field optics, we have created an increased field of view. With the well positioned eyepieces, observations are performed in a more natural, comfortable manner. Field of view: 5.9, 9.5, 14.6, 23 and 37mm



Integrated Yellow filter

The yellow filter is built in as standard, which in combination with the cobalt-blue filter, assures an excellent high contrast examination of the anterior surface.



RS-5000



RS-500



Slit width and slit length

Rexxam slit lamps offers one of the biggest slit dimensions on the market.

Width : 0-15mm continuous

Length *: 0.5-15mm continuous

* RS-5000 only



Flexible background illumination & Diffuser

The RS-5000/500 are both equipped with background illumination* and a diffuser that can be easily deployed.

Beside the Cobalt Blue filter, both slit lamps also offer some options as follows: a Heat absorption filter, Neutral density filter** and a Green (Red free) filter

* background illumination for RS-500 is option

** ND filter not available on RS-500



RS-5000



RS-500

New combined illumination dials

The illumination dial is a unique feature of the RS-5000/500 combining the regulation of main and background illumination in the same position which allows one hand operation.



Joystick with shutter button

The newly designed joystick assures smooth movement and incorporates the shutter button for the digital camera DCS-700. The rotation of the joystick supports the weight of the DCS-700 smoothly in vertical movement.



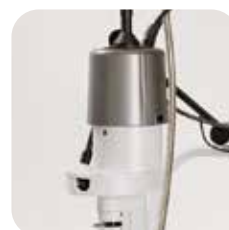
Ergonomically designed slit lamp base

The base of the RS-5000/500 is newly designed to assure ergonomic grip and smooth movement. The base offers a wide movement range up to 100mm to support the use of fundus lenses. In combination with the use of the DCS-700 digital camera, the base supports automatic Right / Left detection for the camera software user interface.



New colour

The RS series supports the new colour combination which matches the other Rexxam products, giving your practice an impressive, professional and harmonised look.



Practical, Economical, LED Slit Lamp RS-300

The RS-300 is the most economical and practical solution in the RS series.

The RS-300 offers 3 step magnification 10x, 16x and 25x in combination with 13.5x eyepieces (13x, 21x and 33x in combination with 18x eyepieces*). The optical system is of the Galileo type with parallel oculars. The Field of view of 8-20mm is illuminated by an LED light source.

The RS-300 is a high quality slit lamp for primary operations, in any practice.

*Optional



RS-300

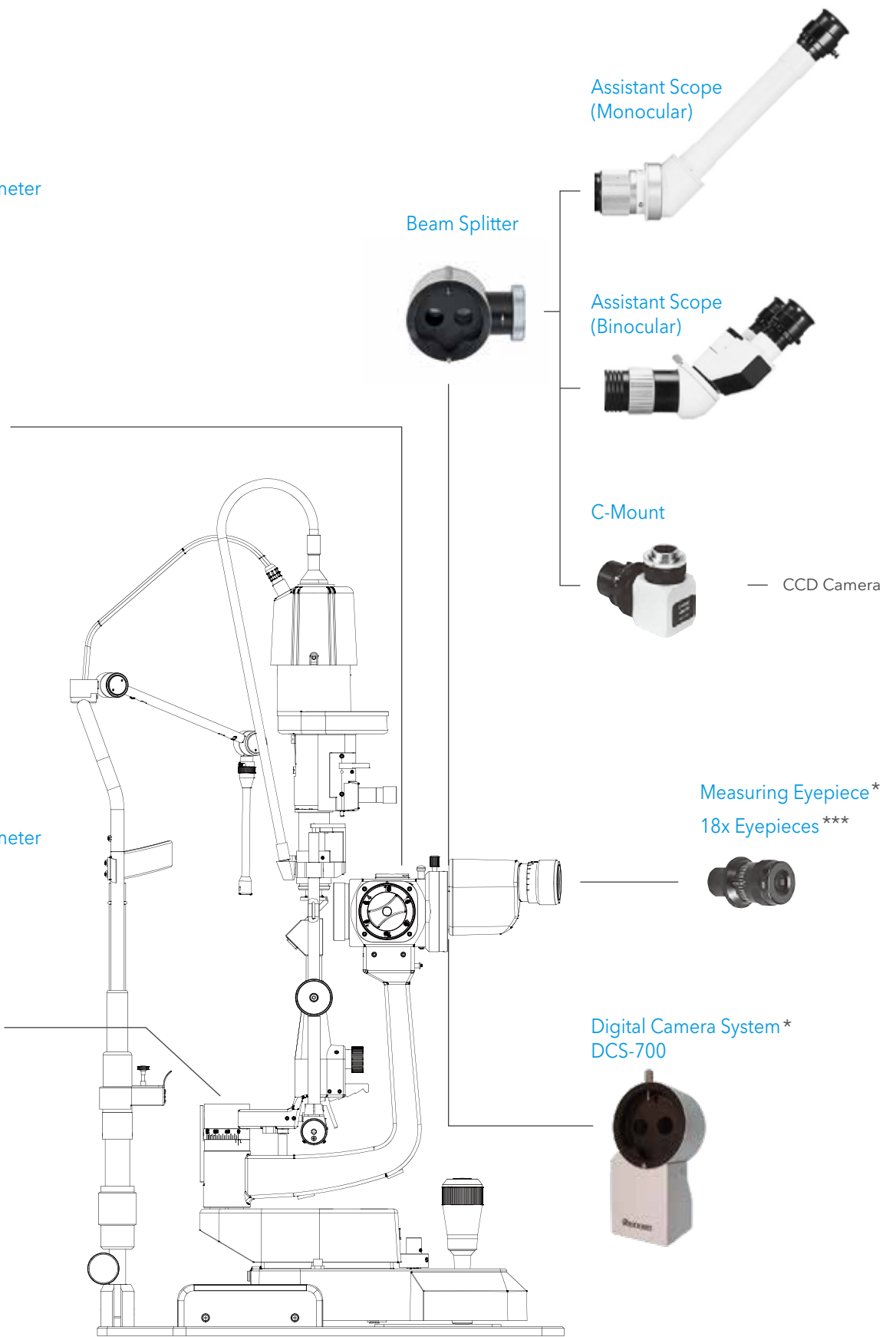
Applanation Tonometer
Arm Type



Applanation Tonometer
Table Type



Background Illumination**



Assistant Scope
(Monocular)

Assistant Scope
(Binocular)

C-Mount

— CCD Camera

Measuring Eyepiece*
18x Eyepieces***

Digital Camera System*
DCS-700

* only for RS-5000/500
** only for RS500
*** only for RS-300

| | | RS-5000 | RS-500 | RS-300 | |
|-------------------------|--------------------------------|--|--|---|--|
| Microscope | Type | Galileo type | | | |
| | | 5 step drum rotation | | 3 step drum rotation | |
| | Conversion | 12 degrees | | | |
| | Eyepieces | 12.5x | | 13.5x (18x optional) | |
| | Magnifications (Field of View) | 6.4x (37 mm) 10 x (23 mm) 16 x (14.6 mm) 25 x (9.5 mm) 40 x (5.9 mm) | | 10x (20mm) 16x (13mm) 25x (8mm) with 18x optional Eyepieces 13x (14mm) 21x (10mm) 33x (6mm) | |
| | Diopter Adjustment Range | ± 7D | | | |
| | Pupillary Distance | 52 - 80mm | | 45 - 81mm | |
| | Filter | Yellow | | - | |
| Illumination System | Light Source | LED | | | |
| | Slit Width | 0 - 15 mm continuous | | | |
| | Slit Length | 0.5 - 15 mm continuous | - | | |
| | Slit Aperture Deameter | Φ0.2, Φ1, Φ3, Φ5, Φ8, Φ15mm | | | |
| | Slit Tilt | 5, 10, 15, 20° | - | | |
| | Filters | Selectable | Cobalt Blue, Heat absorption, Green(Red free), ND | Cobalt Blue, Heat absorption, Green(Red free) | |
| | | Regular Use | UV cut | - | |
| Background Illumination | Yes | optional | - | | |
| Movement | Up - Down | 30 mm | | | |
| | Right - Left | 100 mm | | | |
| | Forward - Backward | 100 mm | | | |
| | Fine Movement | Φ15 mm (by Joystick) | | | |
| | Chin-rest Up - Down | 80 mm | | | |
| Power | Power Voltage | AC 100 - 240 V , 50/60Hz | | | |
| | Power Consumption | 70 VA | 50 VA | | |
| Size | Weight | 16.5 kg | 15.0 kg | | |
| | Dimensions | 320mm(W) 450mm(D) 770mm(H) | 320mm(W) 420mm(D) 590mm(H) | | |
| DCS-700 Compatibility | | Yes | | No | |

Standard Accessories

- Dust Cover
- Chin-rest Paper
- Test Bar
- Diffuser*
- Base Plate

*RS-5000/500 only

Design and specifications are subject to change without notice.

Manufacturer

Rexxam
Quality in vision care

Rexxam Co.,Ltd.

Kagawa factory

958, Ikeuchi, Konan-cho,
Takamatsu, Kagawa 761-1494, Japan

Proudly  Made in Japan

Contact

Eye-care Instruments Sales Dept. Tokyo Office

2-4-2 Kandatsukasa-machi, Chiyoda-ku, Tokyo, 101-0048, Japan
TEL:+81-3-6262-9471 FAX:+81-3-6262-9472

E-mail:eye@rexexam.co.jp

Web site:http://www.rexxam.co.jp



Distributed by